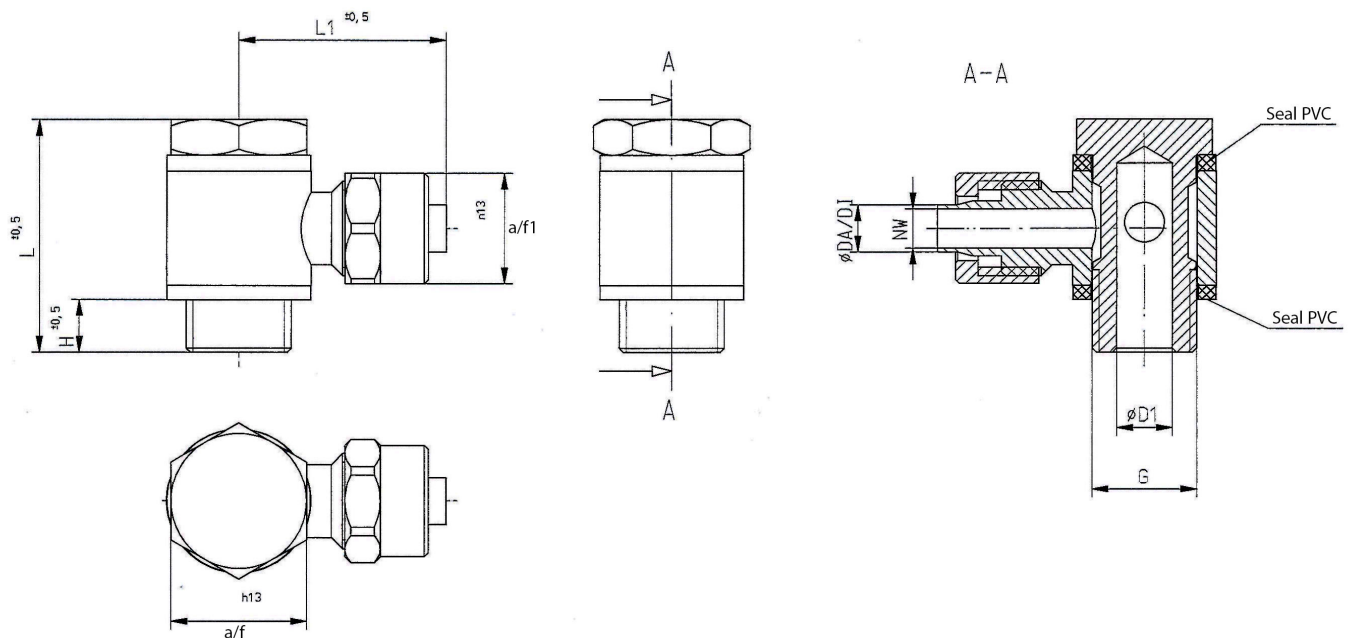


Material
Max. operating pressure
Suitable hose materials

Nickel-plated brass
18 bar
PA, PE, PU



13.614-8-E



Banjo elbow, parallel male thread

Art. No.	Type No.	NW	ØDA/DI	G	a/f	a/f1	H	L	L1	ØD1	Weight
115225	13.605-5-E	2	5/3	M5	8	8	3.0	17.5	17.0	2.0	10.0 g
115226	13.605-6-E	3	6/4	M5	8	9	3.0	17.5	18.0	2.0	11.0 g
115230	13.618-6-E	3	6/4	1/8	14	12	6.0	28.0	24.0	5.0	33.0 g
115231	13.618-8-E	5	8/6	1/8	14	14	6.0	28.0	24.0	5.0	35.0 g
115228	13.614-6-E	3	6/4	1/4	17	12	6.5	29.5	26.0	7.0	49.0 g
115229	13.614-8-E	5	8/6	1/4	17	14	6.5	29.5	26.0	7.0	51.0 g
115227	13.614-10-E	7	10/8	1/4	17	16	9.0	33.0	27.5	7.0	71.0 g
115233	13.638-8-E	5	8/6	3/8	22	14	6.5	31.5	27.5	9.0	54.0 g
115232	13.638-10-E	7	10/8	3/8	22	16	6.5	31.5	28.5	9.0	75.0 g